

# Line coupler User Manual

KTELC



1

## Safety instructions

- Before installation, please read user manual carefully and observe relevant standards, directives, regulations and instructions.
- Electrical equipment must be installed and programmed by qualified technicians only.
- This device is manufactured according to the relevant technical specifications and have CE.
- For more information of this product, please contact the technical engineer of manufacturer.
- Users are not permitted to alter and maintain the product without the authorization of manufacturer.
- Failure to observe the instructions may cause damage to the device and result in fire or other hazards.

## Product Overview

The KTELC line coupler can be used as an area coupler, a line coupler, or a line repeater in the KNX TP topology. Through the KTELC, the expansion of the KNX system can be achieved. Meanwhile, it has a filtering table function, which allows you to set whether to pass or filter data between different lines, reducing the number of communication signals and keeping the communication smooth.

## Safety Warning

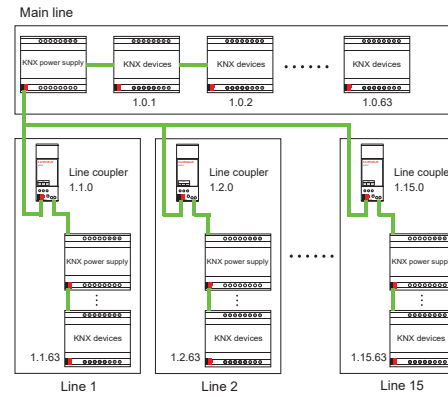
- The installation and commissioning of this equipment must be carried out by our company or an organization designated by our company. The planning and construction of its electrical installation must comply with relevant local safety standards and regulations.
- Our company shall not be responsible for any consequences caused by improper installation and wiring that does not follow this instruction manual.
- Please do not disassemble, assemble or replace parts without permission, as this may lead to mechanical failures, electric shocks, fires or physical injuries.
- Please entrust all maintenance work to our company's after-sales department or a designated organization. The warranty scope of this product does not cover faults caused by users' disassembly of the product.

2

## Product Features

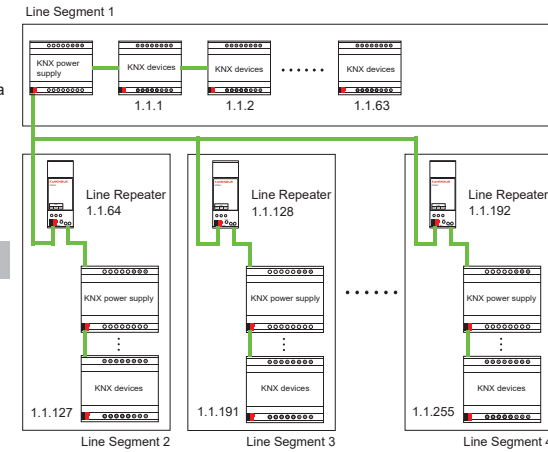
- The coupler connects the KNX area/line to achieve area/line isolation. Meanwhile, data packets can be filtered to reduce telegram traffic and keep communication smooth.
- When used as a branch coupler, it can connect the branch main line and the branch sub-line; when used as an area coupler, it can connect the area main line and the branch bus.
- It can be used as a line coupler/repeater.
- There is electrical isolation between the main line and the branch line.
- Two LEDs display the data transmission status, and one LED displays the programming status.

## Examples of line couplers



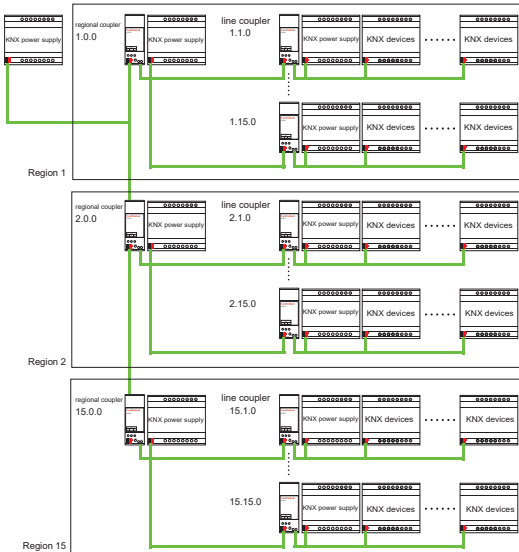
3

## Examples of line repeaters



4

## Examples of Regional Couplers



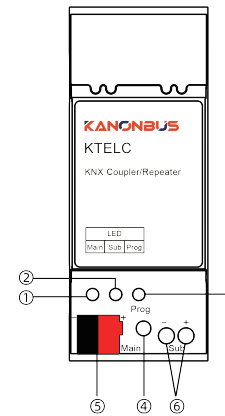
5

## Product parameters

Parameter	Types	KTELC
<b>Product Info</b>		
Dimensions		36mm×92.5mm×65.5mm
operating voltage		21~30V DC
Bus communication		KNX/EIB
Main current		≤15mA
Sub-line current		3mA
Wire diameter requirements for KNX terminals		0.6 - 0.8mm
Type of protection		IP20
Operation		-5°C~45°C
Operating RH		≤90%
Storage		-20°C~60°C
Storage RH		≤93%
<b>Interface type</b>		
Main interface		1
Sub interface		1
Transmission medium		KNX TP
<b>LED indicator light</b>		
Main		Main-line Comms Indicator
Sub		Sub-line Comms Indicator
Prog		Programming indicator light

6

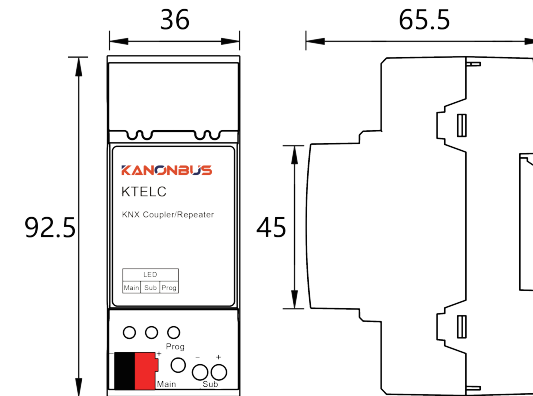
## Operating instructions



- ① Main communication indicator light
- ② Sub communication indicator light
- ③ Programming indicator light
- ④ Programming button
- ⑤ KNX bus terminal: Main
- ⑥ KNX bus terminal: Sub

7

## Product dimensions



8

Shanghai Kanontec Electronic Technology Co., Ltd  
Room 501, Building 12B, No.1288, Luoning Road  
Baoshan District, Shanghai  
<http://www.kanontec.com>  
E: [support@kanontec.com](mailto:support@kanontec.com)  
T: +86-21-56468387